

MAIN BOOM LOAD RATINGS WITH FULLY EXTENDED OUTRIGGERS

MAIN BOOM LOAD RATINGS

LOAD RATINGS IN lbs WITH OUTRIGGERS AND STABILIZERS EXTENDED

LOAD RADIUS IN FEET	LOADED BOOM ANGLE	28-ft	LOADED BOOM ANGLE	A 43-ft	LOADED BOOM ANGLE	B 56-ft	LOADED BOOM ANGLE	C 69-ft	LOADED BOOM ANGLE	D 82-ft	LOADED BOOM ANGLE	E 95-ft
5	79.5	58,600										
8	72.5	42,600	79.5	31,750								
10	68	35,600	76.5	30,550								
12	63	30,600	74	26,450	78.5	26,100						
14	58	26,700	71	24,450	76.5	24,200	79.5	21,600				
16	53	22,800	68	22,550	74	22,500	78	20,800	77.5	15,300		
20	40.5	18,700	62	18,350	70	18,800	74.5	17,600	74	13,200	79	10,300
25	10.5	13,500	53.5	14,650	64	14,300	70	14,000	70.5	11,300	76.5	10,100
30			43.5	11,350	57.5	11,400	65	11,300	66.5	9,200	73.5	9,000
35			32.5	8,250	51	9,300	60	9,300	62.5	7,800	70.5	8,000
40			7	5,250	44	7,650	55.5	7,700	58	5,200	67	6,950
45					35	5,350	49.5	5,400	53.5	4,200	64	6,550
50					22.5	4,200	43.5	4,400	48.5	3,550	59.5	4,250
55							36.5	3,500	42.2	2,900	56	3,650
60							27.5	2,750	37	2,350	52	3,050
65							13	2,050	30.5	1,850	47.5	2,450
70									21	1,450	43	1,950
75											38	1,550
80											32	1,150
85											25	850
90											14.5	550
	0	8,600	0	5,050	0	3,650	0	2,000	0	1,050	0	400
DEDUCTIONS FOR STOWED JIB (lb)		900		600		450		350		300		250
		600		400		300		250		200		200

JIB LOAD RATINGS

LOAD RATINGS IN lbs WITH OUTRIGGERS AND STABILIZERS EXTENDED

LOAD RADIUS IN FEET	LOADED BOOM ANGLE	24-ft FIXED LENGTH JIB		24-ft EXTENDABLE JIB		
		24-ft JIB	LOADED BOOM ANGLE	24-ft JIB RETRACTED	LOADED BOOM ANGLE	41-ft JIB EXTENDED
30	74.5	5,450	74.5	5,200	76.5	3,200
35	72	5,050	72	4,800	74.5	3,050
40	69.5	4,600	69.5	4,350	72	2,850
45	67	4,150	67	3,900	70	2,650
50	64.5	3,750	64.5	3,500	67.5	2,450
55	61.5	3,300	61.5	3,050	65.5	2,300
60	58.5	2,800	58.5	2,550	63	2,150
65	56	2,300	56	2,050	60.5	2,000
70	53	1,850	53	1,600	58	1,850
75	50	1,450	50	1,200	55.5	1,600
80	46.5	1,100	46.5	850	53	1,350
85	43	800	43	550	50.5	1,100
90					47.5	850
95					44.5	600

ELLIOTT EQUIPMENT CO. SUPPLIED
LOADLINE EQUIPMENT DEDUCTIONS:
DOWNHAUL WEIGHT170 lbs
ONE SHEAVE BLOCK.....240 lbs
TWO SHEAVE BLOCK.....290 lbs
THREE SHEAVE BLOCK.....640 lbs
AUXILIARY SHEAVE.....100 lbs

DEDUCTIONS FOR STOWED EXTENDABLE JIB (lbs)

DEDUCTIONS FOR STOWED FIXED LENGTH JIB (lbs)

1-PART LINE



MAX PULL: 9,600 lbs

MAX PULL: 9,060 lbs

2-PART LINE



19,200 lbs

18,120 lbs

3-PART LINE



28,800 lbs

27,180 lbs

4-PART LINE



38,400 lbs

36,240 lbs

5-PART LINE



48,000 lbs

45,300 lbs

6-PART LINE



56,000 lbs

54,360 lbs

7-PART LINE



60,000 lbs

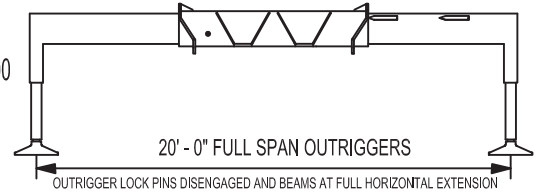
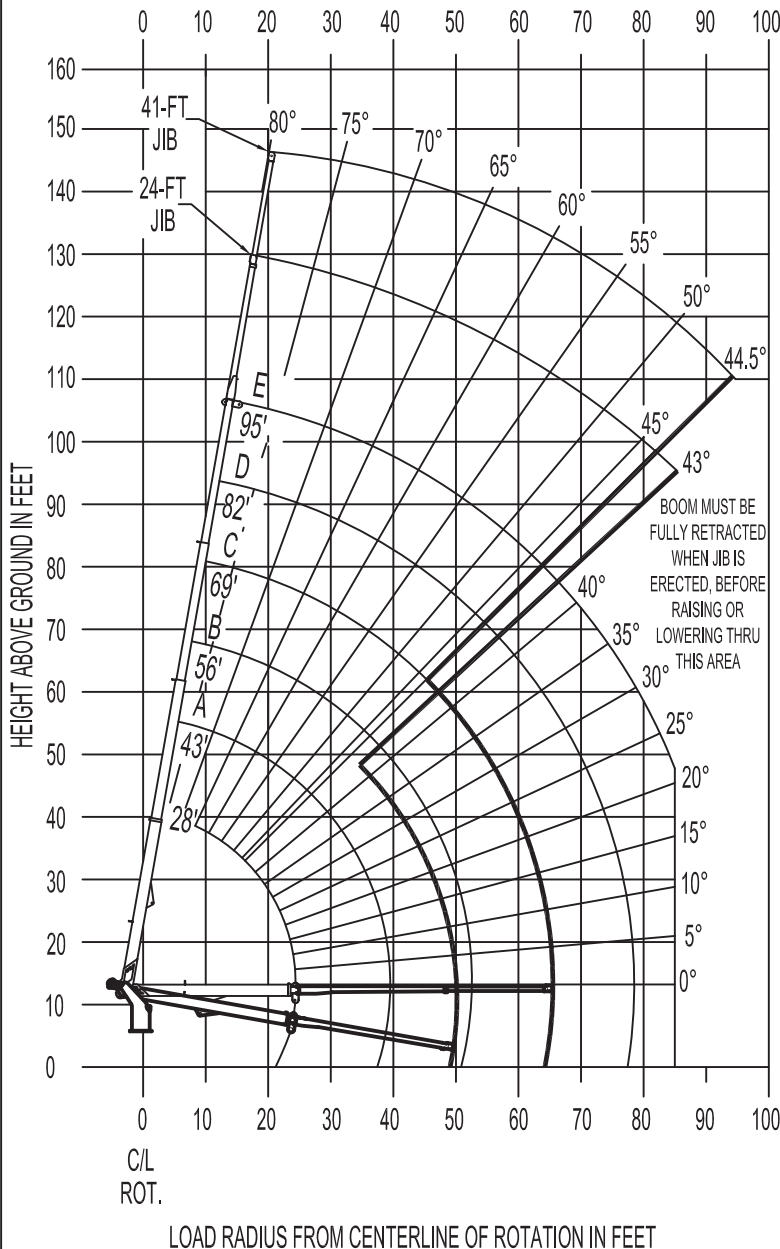
60,000 lbs

NOTICE

- DO NOT DRAG/HAUL LINE BLOCK AGAINST BOOM TIP AND/OR EXTENDED BOOM.
- KEEP AT LEAST 5' SPACES OF LOADLINE OFF THE HOOK DRAIN AT ALL TIMES.
- USE ONLY THE DRAINER WIRE ROPE, AS SPECIFIED BELOW, WITH THE PROPER BREAKING STRENGTH (LIFTED).
- ANTI-CRACKING SYSTEM MUST BE PROVED OPERATING CORRECTLY BEFORE OPERATING CRANE. SEE OPERATOR'S SAFETY MANUAL.

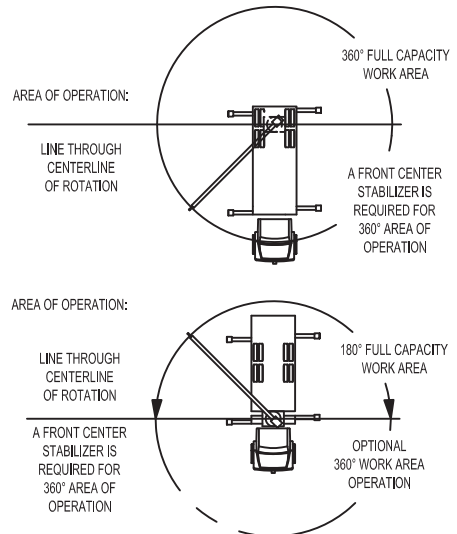
WIRE ROPE BREAKING STRENGTH (LBS) ALL DIMENSIONS ARE IN FEET AND INCHES

RANGE DIAGRAM WITH FULL SPAN OUTRIGGERS



NOTE:

1. Operate jib by radius when main boom is full extended. Increase boom angle if necessary to maintain load radius.
2. When boom is retracted, operate jib by boom angles. Do not exceed any rated jib capacities at reduced boom lengths.
3. Capacities do not exceed 85% stability.
4. Load ratings above bold line are structurally limited.
5. Personnel handling is allowed only with full span outriggers.
6. Boom load ratings are based on loaded boom radius. Loaded boom angles are given as reference only.



MAIN BOOM LOAD RATINGS WITH OUTRIGGERS AT MID-SPAN POSITION

MAIN BOOM LOAD RATINGS

LOAD RATINGS IN lbs WITH OUTRIGGERS AND STABILIZERS EXTENDED

LOAD RADIUS IN FEET	LOADED BOOM ANGLE	28-ft	LOADED BOOM ANGLE	A 43-ft	LOADED BOOM ANGLE	B 56-ft	LOADED BOOM ANGLE	C 69-ft	LOADED BOOM ANGLE	D 82-ft	LOADED BOOM ANGLE	E 95-ft
5	79.5	58,600										
8	72.6	42,600	79.5	31,750								
10	68	35,600	76.6	30,550								
12	63.2	30,600	74	26,450	78.4	26,100						
14	58.1	26,700	71	24,450	76.3	24,200	79.6	21,600				
16	52.7	20,000	68	20,450	74	20,700	78	20,800				
20	40.2	12,300	61.5	12,750	69.2	13,000	74	13,100	77.3	13,200	79.1	10,300
25	16.3	7,600	53.5	8,050	63.7	8,300	69.5	8,350	73.5	8,450	76.4	9,600
30			43.9	5,350	57.4	5,600	65	5,700	69.5	5,800	73.1	6,850
35			31.8	3,600	50.7	3,850	60	3,950	65.4	4,050	69.7	5,100
40			7.1	2,050	43.1	2,650	54.5	2,750	61.2	2,850	65.8	2,800
45					34.1	1,800	49	1,900	57	2,000	62.2	2,000
50					22	1,150	43	1,200	52.4	1,300	58.6	1,600
55							35.5	700	47.5	800	54.9	1,200
60							27	250	42.3	350	50.9	850
65											46.7	550
70											42.1	350
0		4,200	0	1,850	0	1,000						
DEDUCTIONS FOR STOWED JIB (lb)		900		600		450		350		300		250
		600		400		300		250		200		200

JIB LOAD RATINGS

LOAD RATINGS IN lbs WITH OUTRIGGERS AND STABILIZERS EXTENDED

LOAD RADIUS IN FEET	24-ft FIXED LENGTH JIB			24-ft EXTENDABLE JIB		
	LOADED BOOM ANGLE	24-ft JIB	LOADED BOOM ANGLE	24-ft JIB RETRACTED	LOADED BOOM ANGLE	41-ft JIB EXTENDED
30	74.5	5,450	74.5	5,200	76.5	3,200
35	72	4,000	72	3,600	74.5	3,050
40	69.5	2,800	69.5	2,400	72	2,850
45	67	1,950	67	1,600	70	2,650
50	64.5	1,300	64.5	900	67.5	2,150
55	61.5	750			65.5	1,300

ELLIOTT EQUIPMENT CO. SUPPLIED
LOADLINE EQUIPMENT DEDUCTIONS:
DOWNHAUL WEIGHT170 lbs
ONE SHEAVE BLOCK.....240 lbs
TWO SHEAVE BLOCK.....290 lbs
THREE SHEAVE BLOCK.....640 lbs
AUXILIARY SHEAVE.....100 lbs

DEDUCTIONS FOR STOWED EXTENDABLE JIB (lbs)

DEDUCTIONS FOR STOWED FIXED LENGTH JIB (lbs)

1-PART LINE

2-PART LINE

3-PART LINE

4-PART LINE

5-PART LINE

6-PART LINE

7-PART LINE

NOTICE



- DO NOT DEADHEAD LINE BLOCK AGAINST BOOM TIP WHEN EXTENDING BOOM.
- KEEP AT LEAST 5 WRAPS OF LOADLINE ON THE WINCH DRUM AT ALL TIMES.
- USE ONLY 9/16" DIAMETER WIRE ROPE, AS SPECIFIED BELOW, WITH THE PROPER BREAKING STRENGTHS LISTED.
- ANTI-TWO-BLOCK SYSTEM MUST BE IN GOOD OPERATING CONDITION BEFORE OPERATING CRANE. SEE OPERATION & SAFETY MANUAL.

MAX PULL: 9,600 lbs

19,200 lbs

28,800 lbs

38,400 lbs

48,000 lbs

56,000 lbs

60,000 lbs

9/16" - 6 x 37 IWRC (3.5:1 S.F.)
33,600-lbs. BREAKING STRENGTH

MAX PULL: 9,060 lbs

18,120 lbs

27,180 lbs

36,240 lbs

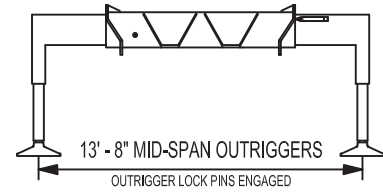
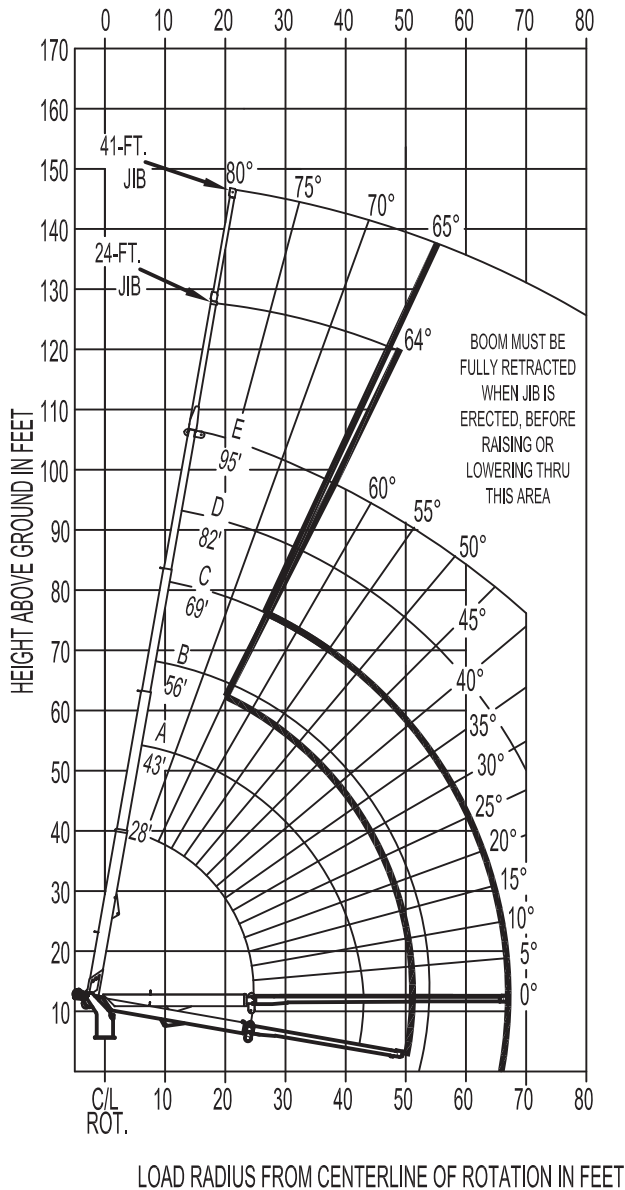
45,300 lbs

54,360 lbs

60,000 lbs

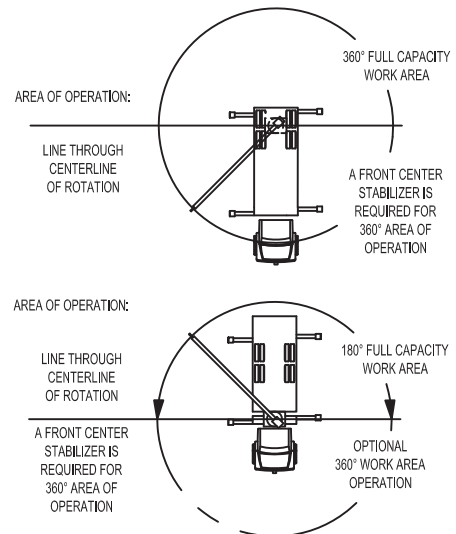
9/16" - SPIN RESISTANT (5:1 S.F.)
45,300-lbs. BREAKING STRENGTH

RANGE DIAGRAM WITH OUTRIGGERS AT MID-SPAN POSITION



NOTE:

1. Operate jib by radius when main boom is full extended. Increase boom angle if necessary to maintain load radius.
2. When boom is retracted, operate jib by boom angles. Do not exceed any rated jib capacities at reduced boom lengths.
3. Capacities do not exceed stability based on ISO 4305-1991.
4. Load ratings above bold line are structurally limited.
5. Personnel handling is allowed only with full span outriggers.
6. Boom load ratings are based on loaded boom radius. Loaded boom angles are given as reference only.



MAIN BOOM LOAD RATINGS WITH OUTRIGGERS AT FULL HORIZONTAL RETRACTED POSITION

MAIN BOOM LOAD RATINGS

LOAD RATINGS IN lbs WITH OUTRIGGERS AND STABILIZERS EXTENDED

LOAD RADIUS IN FEET	LOADED BOOM ANGLE	28-ft	LOADED BOOM ANGLE	A 43-ft	LOADED BOOM ANGLE	B 56-ft	LOADED BOOM ANGLE	C 69-ft	LOADED BOOM ANGLE	D 82-ft	LOADED BOOM ANGLE	E 95-ft
5	79.5	58,600										
8	72.5	20,600	78.9	21,050								
10	67.5	13,500	76.1	13,950								
12	62.8	9,400	73.5	9,850	77.5	10,100						
14	58.9	6,800	70.7	7,250	75.6	7,500	78.7	7,550				
16	53.7	5,100	67.7	5,550	73.5	5,800	76.9	5,850	79.5	6,000		
20	41.6	3,000	61.5	3,450	68.9	3,700	73.5	3,750	76.3	3,900	78.3	4,000
25	16.5	1,150	53.1	1,600	63.1	1,850	68.7	1,900	72.5	2,050	74.9	2,150
30			43.6	500	56.8	750	63.9	800	68.5	950	71.6	1,050
0		750										
DEDUCTIONS FOR STOWED JIB (lb)		900		600		450		350		300		250
		600		400		300		250		200		200

NOTICE

- DO NOT DEADHEAD LINE BLOCK AGAINST BOOM TIP WHEN EXTENDING BOOM.
- KEEP AT LEAST 5 WRAPS OF LOADLINE ON THE WINCH DRUM AT ALL TIMES.
- USE ONLY 9/16" DIAMETER WIRE ROPE, AS SPECIFIED BELOW, WITH THE PROPER BREAKING STRENGTHS LISTED.
- ANTI-TWO-BLOCK SYSTEM MUST BE IN GOOD OPERATING CONDITION BEFORE OPERATING CRANE. SEE OPERATION & SAFETY MANUAL.

DEDUCTIONS FOR STOWED EXTENDABLE JIB (lbs)

DEDUCTIONS FOR STOWED FIXED LENGTH JIB (lbs)

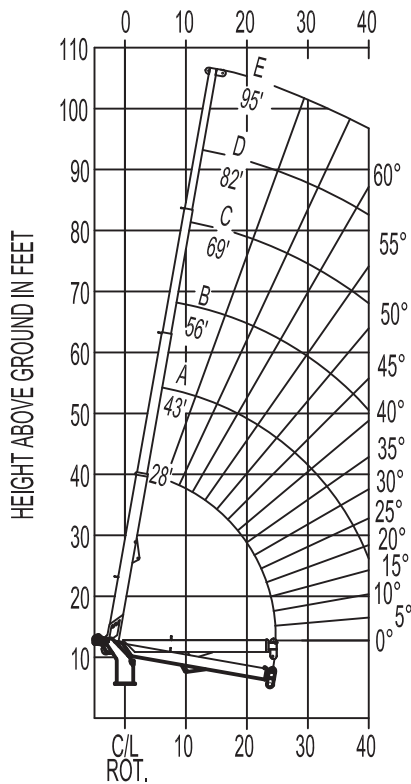


ELLIOTT EQUIPMENT CO. SUPPLIED LOADLINE EQUIPMENT DEDUCTIONS:

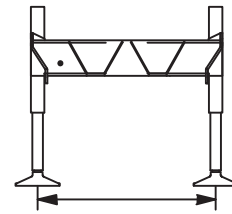
- DOWNHAUL WEIGHT180 lbs
- ONE SHEAVE BLOCK.....375 lbs
- TWO SHEAVE BLOCK.....640 lbs
- THREE SHEAVE BLOCK.....870 lbs
- AUXILIARY SHEAVE.....100 lbs

MAX PULL: 9,060 lbs 18,120 lbs 27,180 lbs 36,240 lbs 45,300 lbs 54,360 lbs 60,000 lbs

RANGE DIAGRAM WITH OUTRIGGERS AT FULL HORIZONTAL RETRACTED POSITION



LOAD RADIUS FROM CENTERLINE OF ROTATION IN FEET



7' - 5" NO-SPAN OUTRIGGERS

* HIGH CLEARANCE O/R AND SEATED CONTROL OPTION WILL RESTRICT SWING TRAVEL

NOTE:

1. Capacities do not exceed stability based on ISO 4305-1991.
2. Load ratings above bold line are structurally limited.
3. Personnel handling is allowed only with full span outriggers.
4. Boom load ratings are based on loaded boom radius.
Loaded boom angles are given as reference only.

